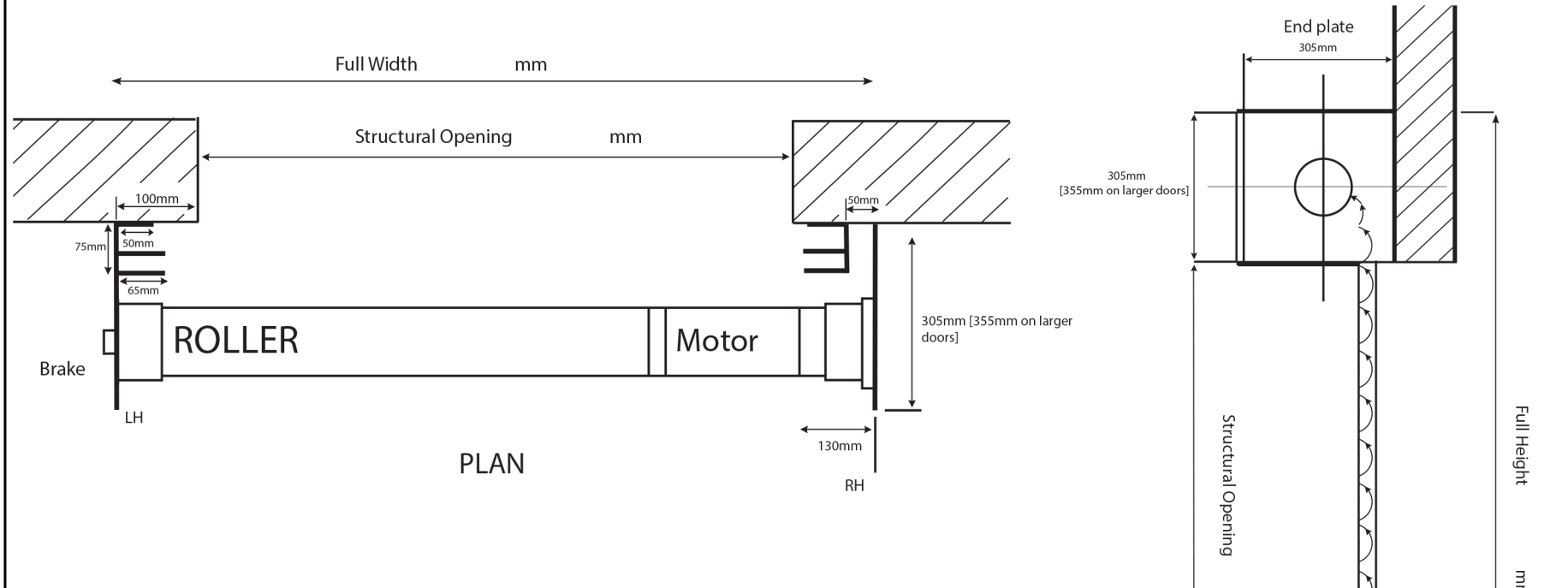


Customer :
 Site :
 Drawing No:



Tel: 0800 137 683 Fax: 0161 487 4174
 Web: www.britanniasecuritygroup.com
 Email: enquiries@britanniasecuritygroup.com
 Address: Unit 4J, Crossley Park,
 Crossley Rd, Stockport, SK4 5BF

Date :
 Signature :



Specifications	
Finish :	
Fitting Style :	
Housing :	
Operation :	
Bottom Rail :	
Safety features :	
Extras :	

**FACE FITTING TUBULAR MOTOR
 ROLLER SHUTTER**

ELEVATION